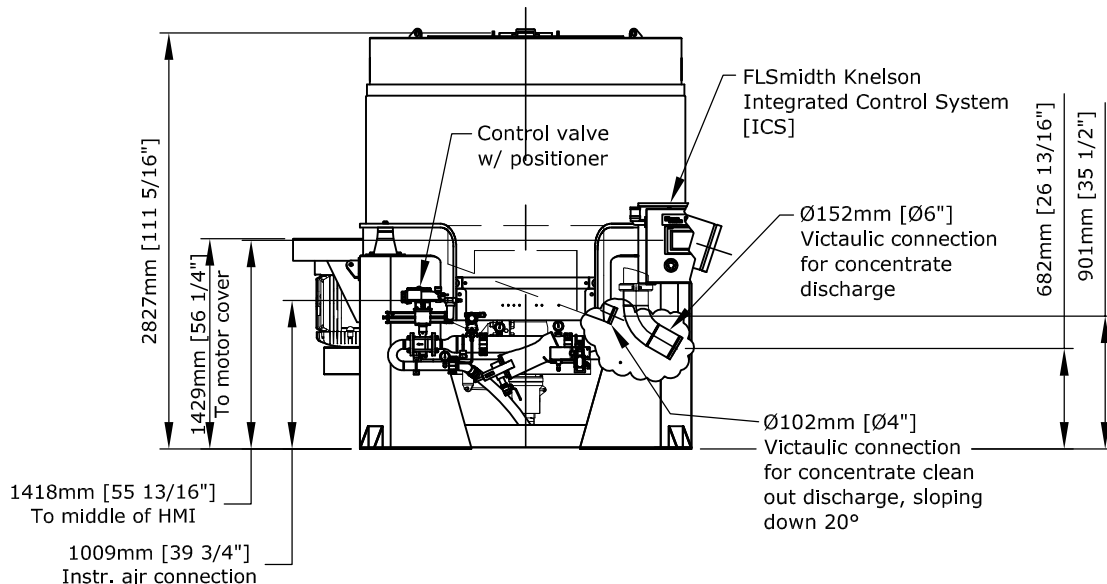
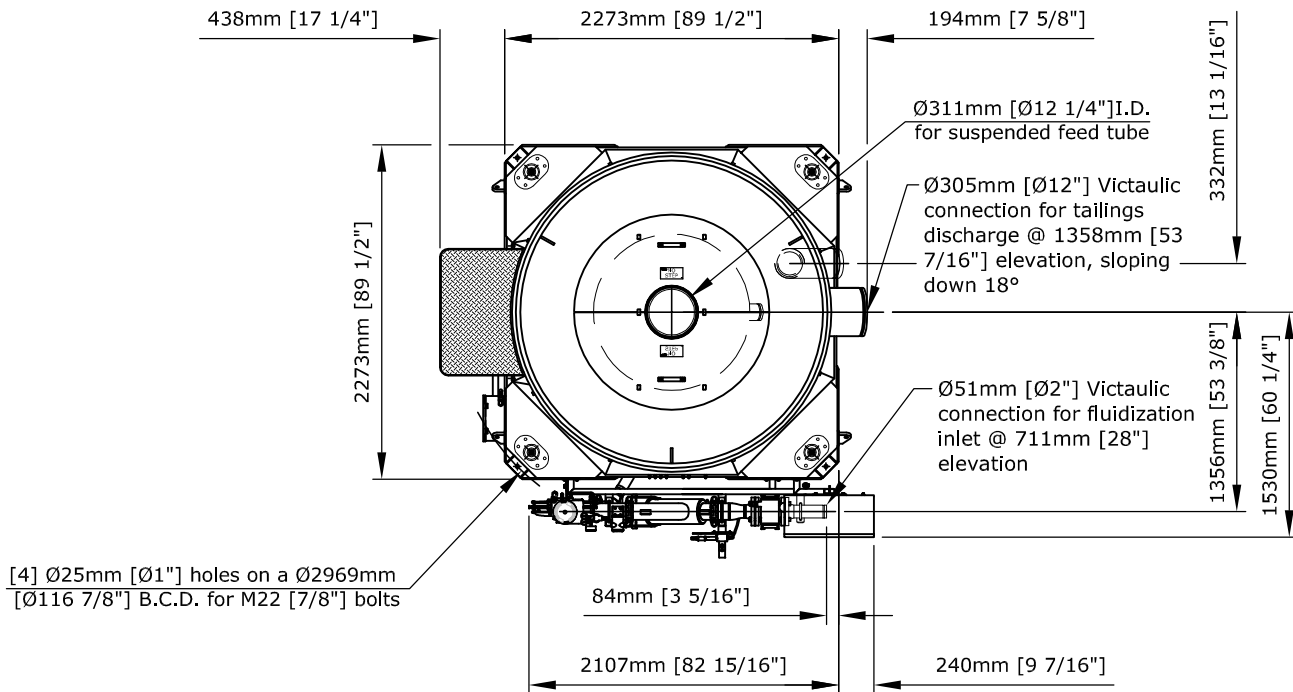


**Knelson Concentrator Model
 KC-CVD42
 Specification Sheet**

- Maximum Feed Capacity - 120 tonnes/hr solids
- Maximum Total Volumetric Throughput - 250m³/hr (1100USgpm)
- Feed Size - Maximum: 1mm
- Feed Density - 0 - 50% Solids by weight
- Minimum Air Flow Required (Auto Piping Only) - 16.1m³/hr (9.5ft³/min) @ 600kPa (90psi)
- Concentrator Installation Weight - 7000kg (15400lbs)
- Motor - 30 - 38kW (40 - 50HP) - Electric
- Fluidization Water - 11 - 23m³/hr (50 - 100USgpm)
- G-Force Range - 30 - 90 G's



Note:
 - Specifications subject to change without notice.
 - All piping to concentrator to be flexible to allow for slight oscillation of unit during operation.
 - Consult FLSmidth Knelson for more detailed operating parameters for your specific application.